

OPERATOR'S MANUAL

650989-XXD

SPECIFICATIONS, SERVICE KITS, GENERAL INFORMATION, TROUBLESHOOTING

INCLUDE MANUALS: 66506-B AIR MOTOR (PN 97999-870), 67300-X LOWER PUMP END (PN 97999-961) & S-632 GENERAL INFORMATION MANUAL (PN 97999-624)

RELEASED: 1-16-01

REVISED:
(REV. A)

12" AIR MOTOR
65:1 RATIO
6" STROKE

650989-XXD EXTRUSION PUMP CARBON STEEL



**READ THIS MANUAL CAREFULLY BEFORE INSTALLING,
OPERATING OR SERVICING THIS EQUIPMENT.**

It is the responsibility of the employer to place this information in the hands of the operator. Keep for future reference.

SERVICE KITS

- Use only genuine ARO® replacement parts to assure compatible pressure rating and longest service life.
- **637112** for repair of Air Motor section.
- **637348-XXD** for repair of Lower Pump section.
Refer to the chart on page 2 for description of -XXD options.

SPECIFICATIONS

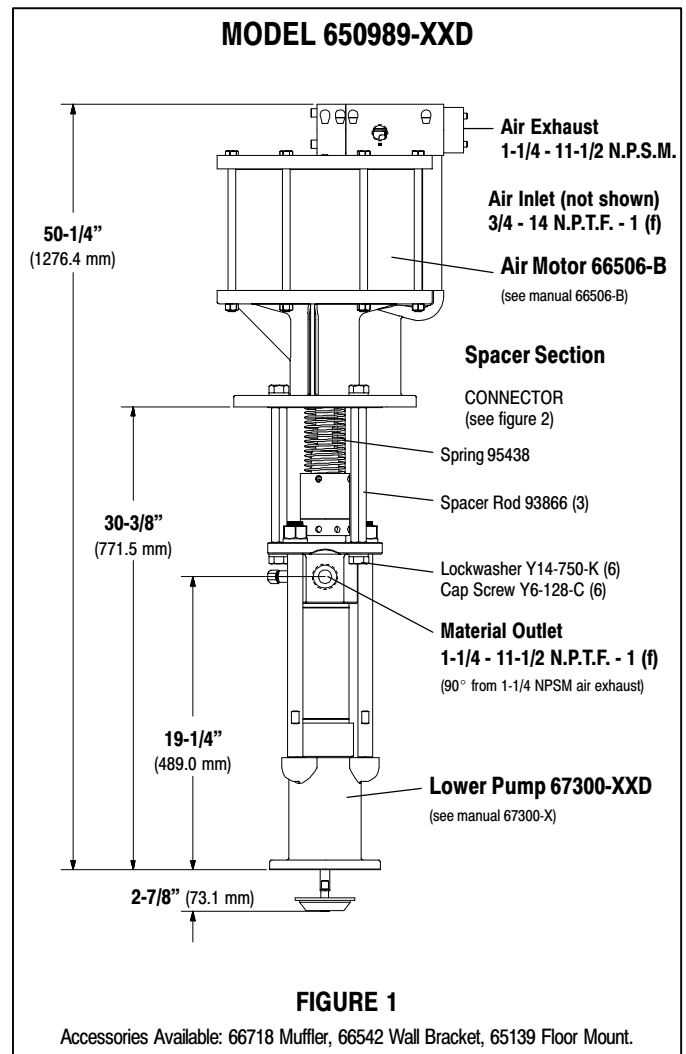
Model Series (refer to option chart)	650989-XXD
Type	Air Operated, Extrusion, Double Acting Pump
Ratio	65:1
Air Motor	66506-B
Motor Repair Kit	637112
Motor Diameter	12" (30.5 cm)
Stroke	6" (15.2 cm)
Air Inlet	3/4 - 14 N.P.T.F. - 1 (female)
Air Exhaust	1-1/4 - 11-1/2 N.P.S.M. (female)
Lower Pump End Series	67300-XXD
Lower Pump Repair Kit	637348-XXD
Material Outlet	1-1/4 - 11-1/2 N.P.T.F. (female)
Weight	165 lbs (74.8 kgs)

PERFORMANCE

Air Inlet Pressure Range	30 - 90 p.s.i. (2.1 - 6.2 bar)
Fluid Pressure Range	1950 - 5850 p.s.i. (134.5 - 403.4 bar)
Max. Rec'd Cycles / Minute	70
Displacement In³ Per Cycle	20.0
Volume / Cycle	11.08 oz. (327.6 ml)
Cycles Per Gallon	11.55
Flow @ 70 Cycles / Minute	6.06 g.p.m. (22.94 l.p.m.)
Noise Level @ 60 p.s.i. - 40 cpm	89.8 db(A) *

* The pump sound pressure level has been updated to an Equivalent Continuous Sound Level (L_{Aeq}) to meet the intent of ANSI S1. 13-1971, CAGI-PNEUROP S5.1 using four microphone locations.

PUMP DATA



IMPORTANT

This is one of the four documents which support the pump. Replacement copies of these forms are available upon request.

- 650989-X MODEL OPERATOR'S MANUAL
- GENERAL INFORMATION - INDUSTRIAL PISTON PUMPS
- 67300-X LOWER PUMP END OPERATOR'S MANUAL
- 66506-B AIR MOTOR OPERATOR'S MANUAL



